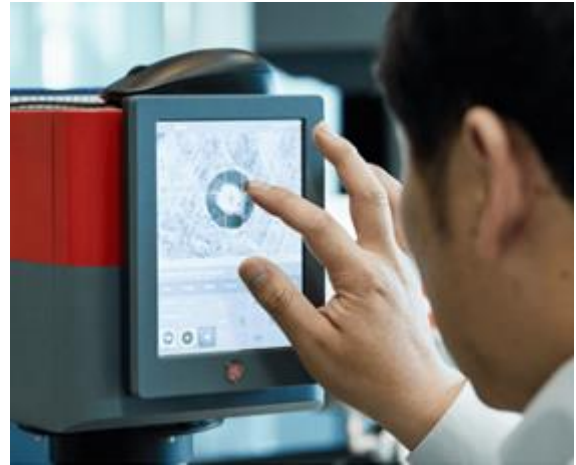


Buaer Undercarriage Parts Introduction

YANTAI ORIENT specializes in the production of **ROTARY DRILLING RIG UNDERCARRIAGE PARTS**. Our main products are **TRACK SHOE, TRACK CHAIN, TRACK ROLLER, CARRIER ROLLER, SPROCKET** and **IDLER**, which are cost-effective and suitable for *BAUER, SOILMEC, CASAGRANDE, IMT, CMV, LIEBHERR, SANDVIK, ATLAS COPCO, JUNTAN, SANY, ZOOMLION, XCMG, SUNWARD, JINTAI, ETC.*

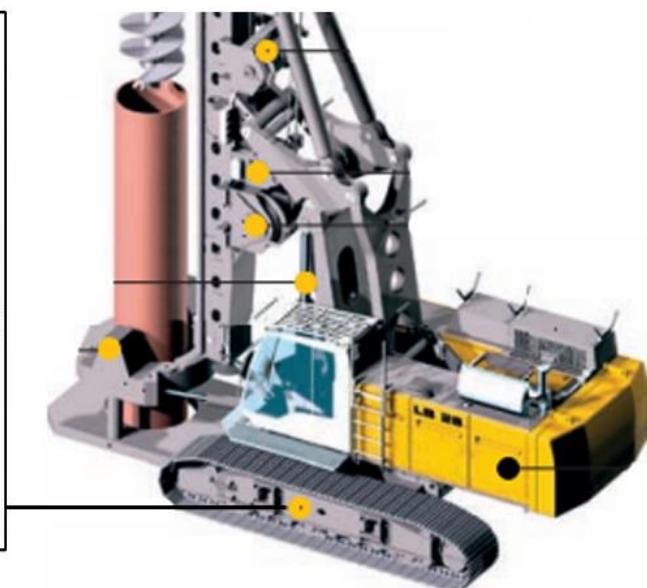
We have a strict quality control process in place to ensure the stability and consistency of product quality through both internal and external inspections. Internal inspections include tensile, impact, and metallographic experiments, while external inspections utilize caliper measurements and hardness testing.



Yantai Orient always be customer-oriented. With the advanced equipment, skilled technology and high-quality raw material, we have provided high-quality products to customers in more than 30 countries, from which thousands of customers have benefited.

Advantages of our undercarriage parts:

- High quality. Use the high level material to control the quality from the source, such as round steel, pure bushing, good floating oil and so on parts.
- Advanced casting and forging equipment, heat treatment and inspection equipment.
- Professional engineer team, export and operation team. Most of our engineers have rich experience of more than 25 years in the undercarriage parts industry. Our export team will reply the email in the shortest time and send quotation sheet in professional ways. Operation team is responsible for the efficient and fast delivery.
- Rich experience in exporting to more than 30 countries. We have cooperated with 1000+ customers in the world, including America, Europe, Middle East, Southeast Asia, etc.



Product Catalog

FAQ

1. What is your main products?

Undercarriage parts, main products include track shoe, track chain, track roller, top roller, drive sprocket, idler assy.

2. How can i confirm the parts is what i need?

Just notify us the correct machine model or the part number. We could provide drawing for you to confirm.

3. What certifications do you have?

ISO9001 and SGS.

4. Do you accept customized products?

Yes sure, we will produce the parts specially for you with drawing or dimension provided.

5. What is your warranty time?

One year, if any damage caused by technique defects, we will resend new parts.

Model and Part NO.

| Models & Part NO. of Undercarriage Parts for Bauer Drilling Rig We Can Provide | |
|---|---|
| Model | PartNO. |
| BG12, BG18, BG20, BG20H, BG22, BG22H, BG24, BG24H, BG25, BG25C, BG25H, BG26, BG28, BG28V, BG30, BG33H, BG34, BG36, BG36H, BG39, BG40, BG45, BG50, GB34, GB50, MBG12, MBG24, RTG RG22S, RTG RM20, UW110 | 000010007992 00001510611 000016631 0000201990 0000218149 00002657399123 000027518 0000278897 000032501 0000362800 0000362803 00003593397 R14070R0Y01 453817 362812 362826 362835 630392 369566 369567 881054 755818 362800 363244 363245 362833 '0000362800 '0000363244 '0000363245 '0000362833 |

More Information

Can't find the model you need? Provide parts manual we can **customize** for you!

For further information and an initial discussion of your needs, contact us today [+86-17561161909](tel:+86-17561161909) or email info@heavyindustryparts.com

YANTAI ORIENT HEAVY INDUSTRY TECHNOLOGY CO., LTD.
NO 16 GANGCHENG EAST STREET, HIGH-TECH ZONE, YANTAI CITY, CHINA

Tel: [+86-535-6762198](tel:+86-535-6762198)

WhatsApp: +86-17561161909

Email: info@heavyindustryparts.com

